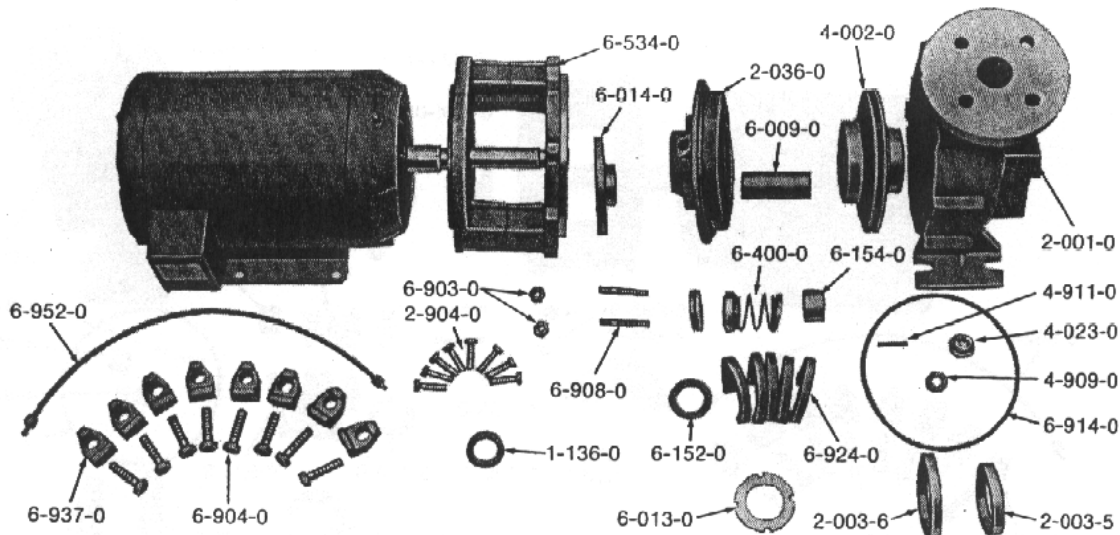




March, 1988

Supersedes 4/85 issue

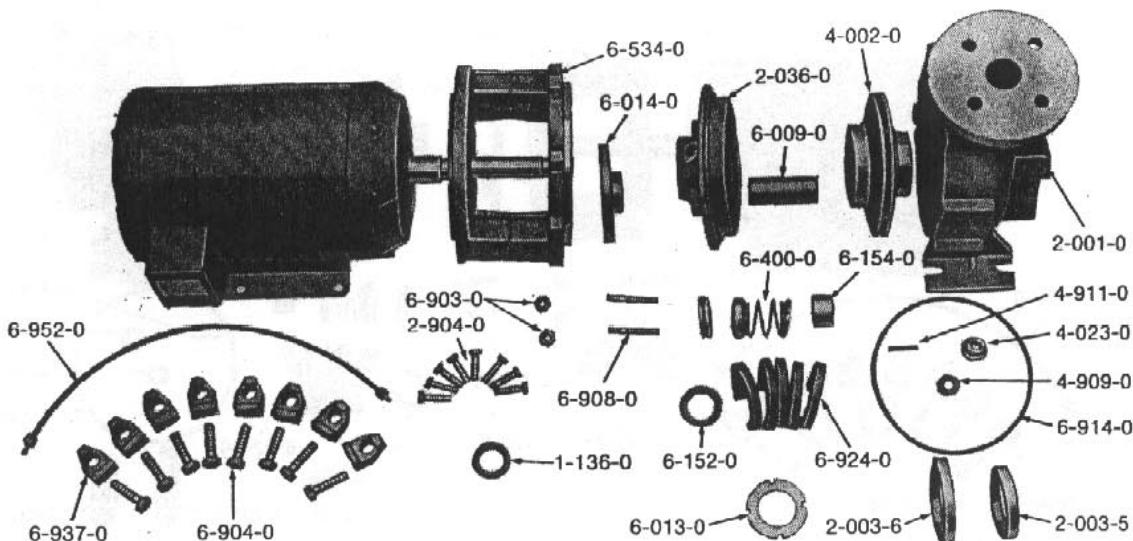


KEY				59	53	57	60
Cat. No.	Part Name	Code	Material	3x2x6½ L	2x1½x9	2½x2x9 L	3x2x9
6-534-0	Adapter	001	Cast Iron	52-427-621-001	⇔	⇔	⇔
4-002-0	Impeller	120	Bronze	52-226-320-166	52-226-340-229	52-226-370-229	⇔
4-002-0	Impeller	001	Cast Iron	52-226-321-166	52-226-341-229	52-226-371-229	⇔
2-036-0	Stuff Box Cover	001	Cast Iron	52-324-701-001	52-324-592-001	⇔	⇔
4-908-0	Impeller Stud	300	Steel	52-108-709-027	⇔	⇔	⇔
4-023-0	Impeller Nut	300	Steel	52-119-899-002	⇔	⇔	⇔
4-909-0	Impeller Washer	300	Steel	CP-651-001-300	⇔	⇔	⇔
4-911-0	Impeller Key	300	Steel	CP-677-103-125	⇔	⇔	⇔
4-Req. 2-904-0	Bolt (Motor to Adapt.)	300	Steel	CP-611-271-611	⇔	⇔	⇔
6-009-0	Shaft Sleeve	120	Bronze	52-118-021-002	⇔	⇔	⇔
6-009-0	Shaft Sleeve	340	Stainless Steel	52-118-021-001	⇔	⇔	⇔
2-001-0	Casing	001	Cast Iron	52-324-700-001	52-324-574-001	52-324-575-001	52-324-565-001
6-914-0	O-Ring (Casing)	400	Rubber	CP-751-531-365	CP-751-531-377	⇔	⇔
2-904-0	Bolts (Casing)	300	Steel	CP-611-271-470	⇔	⇔	⇔
8-Req. 6-937-0	Clamping Lugs	300	Steel	N/A	52-118-005-001	⇔	⇔
8-Req. 6-904-0	Lug Bolt	300	Steel	N/A	CP-611-271-550	⇔	⇔
2-Req. 6-014-0	Gland	304	Stainless Steel	52-118-008-002	⇔	⇔	⇔
2-Req. 6-014-0	Gland	191	ZA-73	52-118-008-001	⇔	⇔	⇔
2-Req. 6-908-0	Studs (Gland)	300	Steel	52-117-852-002	⇔	⇔	⇔
2-Req. 6-903-0	Nuts (Gland)	300	Steel	CP-631-041-106	⇔	⇔	⇔
1-136-0	Slinger	400	Rubber	CP-751-531-430	⇔	⇔	⇔
MECHANICAL SEAL ONLY							
6-400-0	Mech. Seal	381	BP-171	52-118-510-802	⇔	⇔	⇔
6-400-0	Mech. Seal	381	BP-1C1	52-119-056-802	⇔	⇔	⇔
6-400-0	Mech. Seal	381	0(28)P(66)171	52-126-211-802	⇔	⇔	⇔
6-400-0	Mech. Seal	381	0(28)P(66)1D1	52-126-874-802	⇔	⇔	⇔
6-154-0	Spacer Sleeve	300	Steel	52-118-017-001	⇔	⇔	⇔
PACKING ONLY							
6-924-0	Packing	478	Non-Asbestos	52-328-740-521	⇔	⇔	⇔
6-152-0	Packing Base Ring	391	Steel	52-115-252-009	⇔	⇔	⇔
6-013-0	Seal Cage (Optional)	410	Teflon	52-430-298-023	⇔	⇔	⇔
OPTIONAL							
4-002-0	Impeller For W. Ring	120	Bronze	52-233-746-166	52-233-740-229	52-233-744-229	⇔
4-002-0	Impeller For W. Ring	001	Cast Iron	52-233-846-166	52-233-840-229	52-233-844-229	⇔
2-003-5	Wear Ring (Casing)	001	Cast Iron	52-233-631-007	52-233-631-003	⇔	⇔
2-003-6	Wear Ring (Stuff Box)	001	Cast Iron	52-233-631-007	52-233-631-003	⇔	⇔
2-003-5	Wear Ring (Casing)	166	Bronze	52-233-630-007	52-233-630-003	⇔	⇔
2-003-6	Wear Ring (Stuff Box)	166	Bronze	52-233-630-007	52-233-630-003	⇔	⇔
6-952-0	By-Pass Piping	420	Plastic/Bronze	52-118-813-801	⇔	⇔	⇔
0-952-0	By-Pass Piping	420	Plastic/Steel	52-121-667-801	⇔	⇔	⇔

① 8-Req'd. Without Lugs
4-Req'd. With Lugs

② Gland as Illustrated is for Packing,
Reverse For Mech. Seal

NOTE: Impeller Part Numbers Shown Are
Maximum Diameter Machined and Balanced.

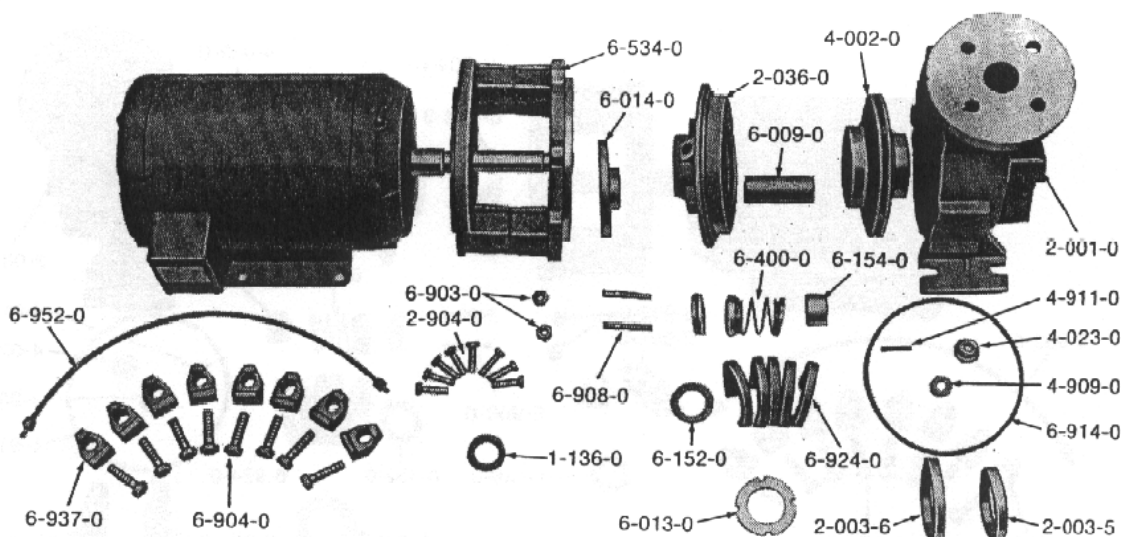


KEY				65	63	66	72
Cat. No.	Part Name	Code	Material	4x3x6½	3x2½x9	4x3x9	6x6x9
6-534-0	Adapter	001	Cast Iron	52-427-624-001	⇒	⇒	⇒
4-002-0	Impeller	120	Bronze	52-226-080-184	52-226-070-229	52-226-090-229	52-226-110-235
4-002-0	Impeller	001	Cast Iron	52-226-081-184	52-226-071-229	52-226-091-229	52-226-111-235
2-036-0	Stuff Box Cover	001	Cast Iron	52-324-563-001	⇒	⇒	52-324-564-001
4-908-0	Impeller Stud	300	Steel	52-118-525-001	⇒	⇒	⇒
4-023-0	Impeller Nut	300	Steel	52-119-899-001	⇒	⇒	⇒
4-909-0	Impeller Washer	300	Steel	CP-651-001-413	⇒	⇒	⇒
4-911-0	Impeller Key	300	Steel	CP-677-103-135	⇒	⇒	⇒
4-Req. 2-904-0	Bolt (Motor to Adapt.)	300	Steel	CP-611-271-611	⇒	⇒	⇒
6-009-0	Shaft Sleeve	120	Bronze	52-118-013-002	⇒	⇒	⇒
6-009-0	Shaft Sleeve	340	Stainless Steel	52-118-013-001	⇒	⇒	⇒
2-001-0	Casing	001	Cast Iron	52-324-589-001	52-324-586-001	52-324-590-001	52-324-597-001
6-914-0	O-Ring (Casing)	400	Rubber	CP-751-531-377	⇒	⇒	⇒
① 2-904-0	Bolts (Casing)	300	Steel	CP-611-271-550	⇒	⇒	⇒
8-Req. 6-937-0	Clamping Lugs	300	Steel	N/A	⇒	⇒	⇒
6-Req. 6-904-0	Lug Bolt	300	Steel	N/A	⇒	⇒	⇒
② 6-014-0	Gland	304	Stainless Steel	52-118-008-002	⇒	⇒	⇒
6-014-0	Gland	191	ZA-73	52-118-008-001	⇒	⇒	⇒
2-Req. 6-908-0	Studs (Gland)	300	Steel	52-117-852-002	⇒	⇒	⇒
2-Req. 6-903-0	Nuts (Gland)	300	Steel	CP-631-041-106	⇒	⇒	⇒
1-136-0	Slinger	400	Rubber	CP-751-531-430	⇒	⇒	⇒
MECHANICAL SEAL ONLY							
6-400-0	Mech. Seal	381	BP-171	52-118-510-802	⇒	⇒	⇒
6-400-0	Mech. Seal	381	BP-1C1	52-119-056-802	⇒	⇒	⇒
6-400-0	Mech. Seal	381	0(28)P(66)171	52-126-211-802	⇒	⇒	⇒
6-400-0	Mech. Seal	381	0(28)P(66)1D1	52-126-874-802	⇒	⇒	⇒
6-154-0	Spacer Sleeve	300	Steel	52-118-017-001	⇒	⇒	⇒
PACKING ONLY							
6-924-0	Packing	478	Non-Asbestos	52-328-740-521	⇒	⇒	⇒
6-152-0	Packing Base Ring	391	Steel	52-115-252-009	⇒	⇒	⇒
6-013-0	Seal Cage (Optional)	410	Teflon	52-430-298-023	⇒	⇒	⇒
OPTIONAL							
4-002-0	Impeller For W. Ring	120	Bronze	52-233-713-184	52-233-711-229	52-233-714-229	52-233-720-235
4-002-0	Impeller For W. Ring	001	Cast Iron	52-233-813-184	52-233-811-229	52-233-814-229	52-233-820-235
2-003-5	Wear Ring (Casing)	001	Cast Iron	52-233-631-012	52-233-631-008	52-233-631-012	52-233-631-016
2-003-6	Wear Ring (Stuff Box)	001	Cast Iron	52-233-631-010	⇒	⇒	52-233-631-018
2-003-5	Wear Ring (Casing)	166	Bronze	52-233-630-012	52-233-630-008	52-233-630-012	52-233-630-016
2-003-6	Wear Ring (Stuff Box)	166	Bronze	52-233-630-010	⇒	⇒	52-233-630-018
6-952-0	By-Pass Piping	420	Plastic/Bronze	52-118-814-801	⇒	⇒	⇒
0-952-0	By-Pass Piping	420	Plastic/Steel	52-121-668-801	⇒	⇒	⇒

① 8-Req'd. Without Lugs
4-Req'd. With Lugs

② Gland as Illustrated is for Packing,
Reverse For Mech. Seal

NOTE: Impeller Part Numbers Shown Are
Maximum Diameter Machined and Balanced.



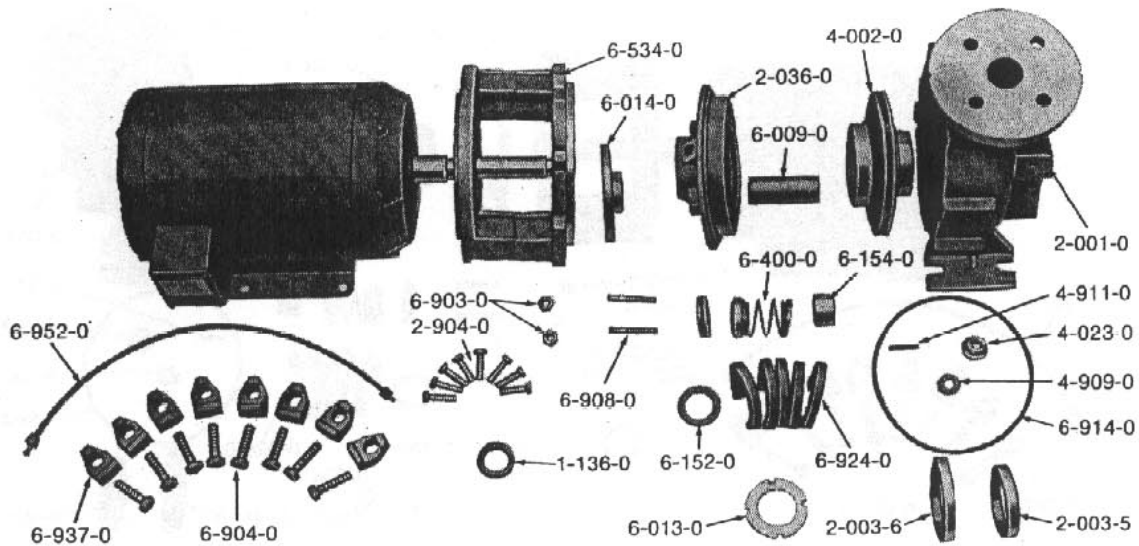
KEY				76	76.1	69
Cat. No.	Part Name	Code	Material	8x6x9	8x6x9½	4x4x11
6-534-0	Adapter	001	Cast Iron	52-427-624-001	⇒	⇒
4-002-0	Impeller	120	Bronze	52-226-120-235	52-226-127-241	52-226-140-280
4-002-0	Impeller	001	Cast Iron	52-226-121-236	52-226-128-241	52-226-141-280
2-036-0	Stuff Box Cover	001	Cast Iron	52-324-564-001	⇒	52-324-576-001
4-908-0	Impeller Stud	300	Steel	52-118-525-001	⇒	⇒
4-023-0	Impeller Nut	300	Steel	52-119-899-001	⇒	⇒
4-909-0	Impeller Washer	300	Steel	CP-651-001-413	⇒	⇒
4-911-0	Impeller Key	300	Steel	CP-677-103-135	⇒	⇒
2-904-0	Bolt (Motor to Adapt.)	300	Steel	CP-611-271-611	⇒	⇒
6-009-0	Shaft Sleeve	120	Bronze	52-118-013-002	⇒	⇒
6-009-0	Shaft Sleeve	340	Stainless Steel	52-118-013-001	⇒	⇒
2-001-0	Casing	001	Cast Iron	52-324-598-001	⇒	52-324-603-001
6-914-0	O-Ring (Casing)	400	Rubber	CP-751-531-377	⇒	CP-751-531-383
2-904-0	Bolts (Casing)	300	Steel	CP-611-271-548	⇒	⇒
6-937-0	Clamping Lugs	300	Steel	N/A	N/A	52-118-014-001
6-904-0	Lug Bolt	300	Steel	N/A	N/A	N/A
6-014-0	Gland	304	Stainless Steel	52-118-008-002	⇒	②
6-014-0	Gland	191	ZA-73	52-118-008-001	⇒	⇒
6-908-0	Studs (Gland)	300	Steel	52-117-852-002	⇒	⇒
6-903-0	Nuts (Gland)	300	Steel	CP-631-041-106	⇒	⇒
1-136-0	Slinger	400	Rubber	CP-751-531-430	⇒	⇒
MECHANICAL SEAL ONLY						
6-400-0	Mech. Seal	381	BP-171	52-118-510-802	⇒	⇒
6-400-0	Mech. Seal	381	BP-1C1	52-119-056-802	⇒	⇒
6-400-0	Mech. Seal	381	0(28)P(66)171	52-126-211-802	⇒	⇒
6-400-0	Mech. Seal	381	0(28)P(66)1D1	52-126-874-802	⇒	⇒
6-154-0	Spacer Sleeve	300	Steel	52-118-017-001	⇒	⇒
PACKING ONLY						
6-924-0	Packing	478	Non-Asbestos	52-328-740-521	⇒	⇒
6-152-0	Packing Base Ring	391	Steel	52-115-252-009	⇒	⇒
6-013-0	Seal Cage (Optional)	410	Teflon	52-430-298-023	⇒	⇒
OPTIONAL						
4-002-0	Impeller For W. Ring	120	Bronze	52-233-724-235	52-236-816-241	52-233-717-280
4-002-0	Impeller For W. Ring	001	Cast Iron	52-233-824-235	52-236-817-241	52-233-817-280
2-003-5	Wear Ring (Casing)	001	Cast Iron	52-233-631-019	⇒	52-233-631-011
2-003-6	Wear Ring (Stuff Box)	001	Cast Iron	52-233-631-018	⇒	52-233-631-010
2-003-5	Wear Ring (Casing)	166	Bronze	52-233-630-019	⇒	52-233-630-011
2-003-6	Wear Ring (Stuff Box)	166	Bronze	52-233-630-018	⇒	52-233-630-010
6-952-0	By-Pass Piping	420	Plastic/Bronze	52-118-814-801	⇒	⇒
0-952-0	By-Pass Piping	420	Plastic/Steel	52-121-668-801	⇒	⇒

① 8-Req'd. Without Lugs
4-Req'd. With Lugs

② 4x4x11 Requires 1-CP-611-271-613
& 7-CP-611-271-616

③ Gland as Illustrated is for Packing.
Reverse For Mech. Seal

NOTE: Impeller Part Numbers Shown Are
Maximum Diameter Machined and Balanced.

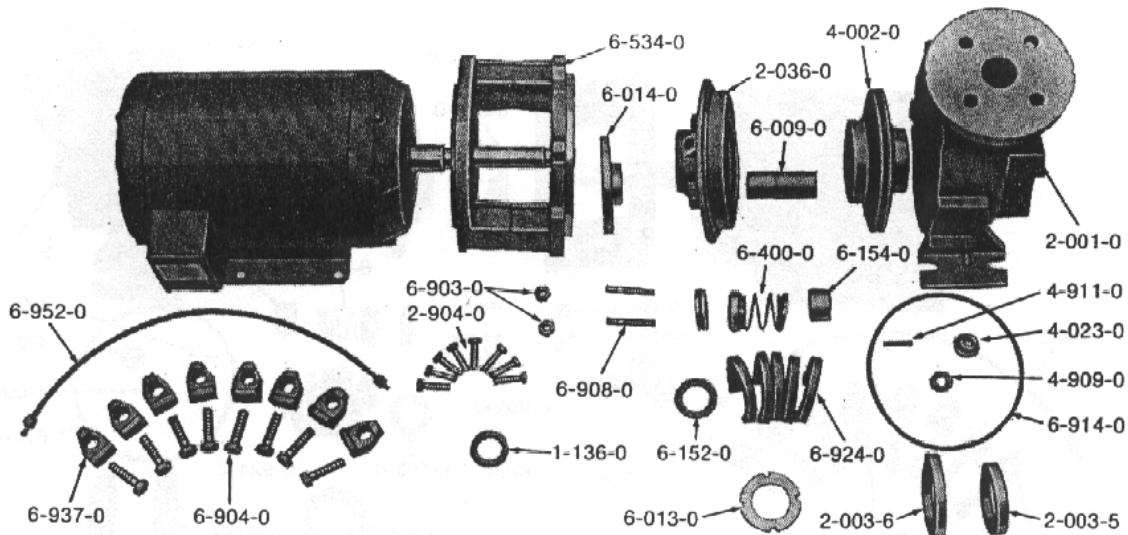


KEY				73	77	64	68
Cat. No.	Part Name	Code	Material	6x6x11	8x6x11	3x2½x13	4x3x13
6-534-0	Adapter	001	Cast Iron	52-427-624-001	⇒	⇒	⇒
4-002-0	Impeller	120	Bronze	52-226-200-280	52-226-210-280	52-226-260-331	52-226-250-331
4-002-0	Impeller	001	Cast Iron	52-226-201-280	52-226-211-280	52-226-261-331	52-226-251-331
2-036-0	Stuff Box Cover	001	Cast Iron	52-324-584-001	⇒	⇒	⇒
4-908-0	Impeller Stud	300	Steel	52-118-525-001	⇒	⇒	⇒
4-023-0	Impeller Nut	300	Steel	52-119-899-001	⇒	⇒	⇒
4-909-0	Impeller Washer	300	Steel	CP-651-001-413	⇒	⇒	⇒
4-911-0	Impeller Key	300	Steel	CP-677-103-135	⇒	⇒	⇒
4-Req. 2-904-0	Bolt (Motor to Adapt.)	300	Steel	CP-611-271-611	⇒	⇒	⇒
6-009-0	Shaft Sleeve	120	Bronze	52-118-013-002	⇒	⇒	⇒
6-009-0	Shaft Sleeve	340	Stainless Steel	52-118-013-001	⇒	⇒	⇒
2-001-0	Casing	001	Cast Iron	52-324-709-001	52-324-711-001	52-324-714-001	52-324-713-001
6-914-0	O-Ring (Casing)	400	Rubber	CP-751-531-383	⇒	⇒	⇒
① 2-904-0	Bolts (Casing)	300	Steel	CP-611-271-548	⇒	⇒	⇒
8-Req. 6-937-0	Clamping Lugs	300	Steel	52-118-014-001	⇒	⇒	⇒
8-Req. 6-904-0	Lug Bolt	300	Steel	CP-611-271-616	⇒	⇒	⇒
② 6-014-0	Gland	304	Stainless Steel	52-118-008-002	⇒	⇒	⇒
6-014-0	Gland	191	ZA-73	52-118-008-001	⇒	⇒	⇒
2-Req. 6-908-0	Studs (Gland)	300	Steel	52-117-852-002	⇒	⇒	⇒
2-Req. 6-903-0	Nuts (Gland)	300	Steel	CP-631-041-106	⇒	⇒	⇒
1-136-0	Slinger	400	Rubber	CP-751-531-430	⇒	⇒	⇒
MECHANICAL SEAL ONLY							
6-400-0	Mech. Seal	381	BP-171	52-118-510-802	⇒	⇒	⇒
6-400-0	Mech. Seal	381	BP-1C1	52-119-056-802	⇒	⇒	⇒
6-400-0	Mech. Seal	381	0(28)P(66)171	52-126-211-802	⇒	⇒	⇒
6-400-0	Mech. Seal	381	0(28)P(66)1D1	52-126-874-802	⇒	⇒	⇒
6-154-0	Spacer Sleeve	300	Steel	52-118-017-001	⇒	⇒	⇒
PACKING ONLY							
6-924-0	Packing	478	Non-Asbestos	52-328-740-521	⇒	⇒	⇒
6-152-0	Packing Base Ring	391	Steel	52-115-252-009	⇒	⇒	⇒
6-013-0	Seal Cage (Optional)	410	Teflon	52-430-298-023	⇒	⇒	⇒
OPTIONAL							
4-002-0	Impeller For W. Ring	120	Bronze	52-233-721-280	52-233-725-280	52-233-712-331	52-233-716-331
4-002-0	Impeller For W. Ring	001	Cast Iron	52-233-821-280	52-233-825-280	52-233-812-331	52-233-816-331
2-003-5	Wear Ring (Casing)	001	Cast Iron	52-233-631-014	52-233-631-017	52-233-631-013	⇒
2-003-6	Wear Ring (Stuff Box)	001	Cast Iron	52-233-631-014	⇒	⇒	⇒
2-003-5	Wear Ring (Casing)	166	Bronze	52-233-630-014	52-233-630-017	52-233-630-013	⇒
2-003-6	Wear Ring (Stuff Box)	166	Bronze	52-233-630-014	⇒	⇒	⇒
6-952-0	By-Pass Piping	420	Plastic/Bronze	52-118-814-801	⇒	⇒	⇒
0-952-0	By-Pass Piping	420	Plastic/Steel	52-121-668-801	⇒	⇒	⇒

① 8-Req'd. Without Lugs
4-Req'd. With Lugs

② Gland as Illustrated is for Packing,
Reverse For Mech. Seal

NOTE: Impeller Part Numbers Shown Are
Maximum Diameter Machined and Balanced.



KEY				71	74	75
Cat. No.	Part Name	Code	Material	6x4x13	6x6x13 S	6x6x13 L
6-534-0	Adapter	001	Cast Iron	52-427-624-001	⇔	⇔
4-002-0	Impeller	120	Bronze	52-226-240-331	52-226-220-331	52-226-230-331
4-002-0	Impeller	001	Cast Iron	52-226-241-331	52-226-221-331	52-226-231-331
2-036-0	Stuff Box Cover	001	Cast Iron	52-324-584-001	⇔	⇔
4-908-0	Impeller Stud	300	Steel	52-118-525-001	⇔	⇔
4-023-0	Impeller Nut	300	Steel	52-119-899-001	⇔	⇔
4-909-0	Impeller Washer	300	Steel	CP-651-001-413	⇔	⇔
4-911-0	Impeller Key	300	Steel	CP-677-103-135	⇔	⇔
4-Req. 2-904-0	Bolt (Motor to Adapt.)	300	Steel	CP-611-271-611	⇔	⇔
6-009-0	Shaft Sleeve	120	Bronze	52-118-013-002	⇔	⇔
6-009-0	Shaft Sleeve	340	Stainless Steel	52-118-013-001	⇔	⇔
2-001-0	Casing	001	Cast Iron	52-324-712-003	52-324-710-003	⇔
6-914-0	O-Ring (Casing)	400	Rubber	CP-751-531-383	⇔	⇔
① 2-904-0	Bolts (Casing)	300	Steel	CP-611-271-548	⇔	⇔
8-Req. 6-937-0	Clamping Lugs	300	Steel	52-118-014-001	⇔	⇔
8-Req. 6-904-0	Lug Bolt	300	Steel	CP-611-271-616	⇔	⇔
② 6-014-0	Gland	304	Stainless Steel	52-118-008-002	⇔	⇔
6-014-0	Gland	191	ZA-73	52-118-008-001	⇔	⇔
2-Req. 6-908-0	Studs (Gland)	300	Steel	52-117-852-002	⇔	⇔
62-Req. 6-903-0	Nuts (Gland)	300	Steel	CP-631-041-106	⇔	⇔
1-136-0	Slinger	400	Rubber	CP-751-531-430	⇔	⇔
MECHANICAL SEAL ONLY						
6-400-0	Mech. Seal	381	BP-171	52-118-510-802	⇔	⇔
6-400-0	Mech. Seal	381	BP-1C1	52-119-056-802	⇔	⇔
6-400-0	Mech. Seal	381	0(28)P(66)171	52-126-211-802	⇔	⇔
6-400-0	Mech. Seal	381	0(28)P(66)1D1	52-126-874-802	⇔	⇔
6-154-0	Spacer Sleeve	300	Steel	52-118-017-001	⇔	⇔
PACKING ONLY						
6-924-0	Packing	478	Non-Asbestos	52-328-740-521	⇔	⇔
6-152-0	Packing Base Ring	391	Steel	52-115-252-009	⇔	⇔
6-013-0	Seal Cage (Optional)	410	Teflon	52-430-298-023	⇔	⇔
OPTIONAL						
4-002-0	Impeller For W. Ring	120	Bronze	52-233-719-331	52-233-722-331	52-233-723-331
4-002-0	Impeller For W. Ring	001	Cast Iron	52-233-819-331	52-233-822-331	52-233-823-331
2-003-5	Wear Ring (Casing)	001	Cast Iron	52-233-631-013	52-233-631-017	⇔
2-003-6	Wear Ring (Stuff Box)	001	Cast Iron	52-233-631-014	⇔	⇔
2-003-5	Wear Ring (Casing)	166	Bronze	52-233-630-013	52-233-630-017	⇔
2-003-6	Wear Ring (Stuff Box)	166	Bronze	52-233-630-014	⇔	⇔
6-952-0	By-Pass Piping	420	Plastic/Bronze	52-118-814-801	⇔	⇔
0-952-0	By-Pass Piping	420	Plastic/Steel	52-121-668-801	⇔	⇔

① 8-Req'd. Without Lugs
4-Req'd. With Lugs

② Gland as Illustrated is for Packing.
Reverse For Mech. Seal

NOTE: Impeller Part Numbers Shown Are
Maximum Diameter Machined and Balanced.